

物料名称:	S10 Max说明书 (适用于英国)			成品尺寸:	130*130 mm
品 牌:	isinwheel	语 种:	英	材 质:	157g双铜纸
时 间:	2025-08-01	版 本:	UK_V6	工 艺:	风琴折页
备 注:					

版本号	变更时间	版本变更记录
V4	2024-07-25	Specification 真空胎改成充气胎
V5	2024-12-16	换isinwheelclub的APP
V6	2025-07-31	UK_V5为旧改新为UK_V6 (英国)



S10Max UK

User Manual

IMPORTANT! Read carefully and keep for future reference.

Illustrations of product, accessories, and user interface in the user manual are for reference purposes only. Actual product and functions may vary due to product enhancements.



Scan to install the "*isinwheel club*" App

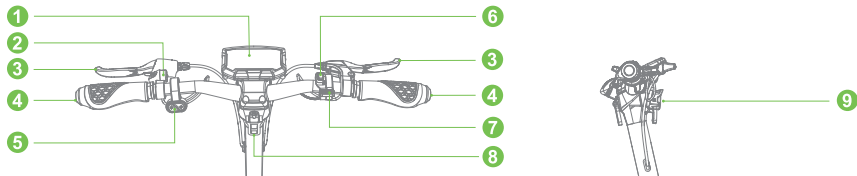


You will get

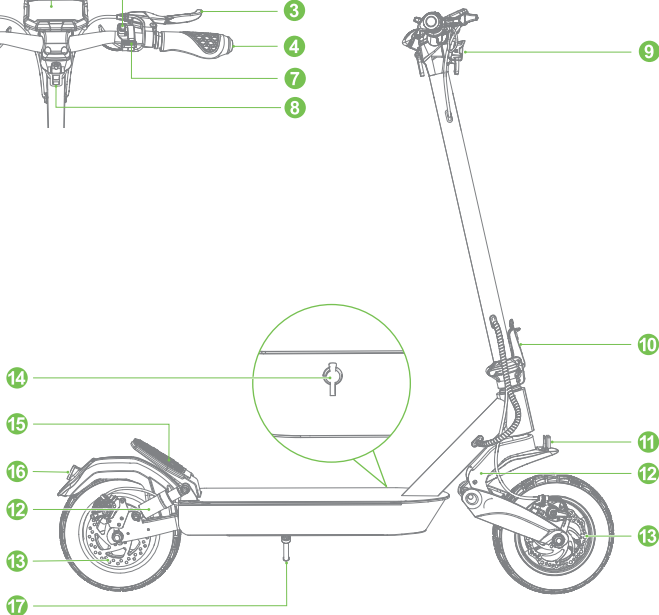
-
- *Digital manual*
 - *Step-by-step setup videos*
 - *FAQs & troubleshooting*
 - *Electronic Lock*
-



Product Overview

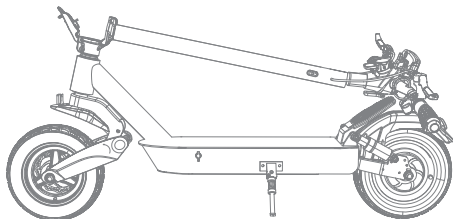


- ① Display
- ② Bell
- ③ Brake Levers
- ④ Indicators
- ⑤ Indicator Switch
- ⑥ Power Button
- ⑦ Throttle
- ⑧ Folding Catch
- ⑨ Headlight
- ⑩ Folding Mechanism
- ⑪ Reflector
- ⑫ Suspensions
- ⑬ Disc Brakes
- ⑭ Charging Port
- ⑮ Folding Hook
- ⑯ Taillight & Brake Light
- ⑰ Kickstand





Package Contents



Scooter



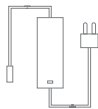
Stem Bolts (including 2 Spare Bolts)



3-in-1 Tool



User Manual & Safety Instructions

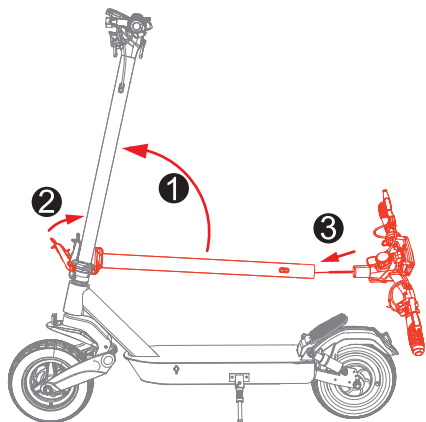


Charger

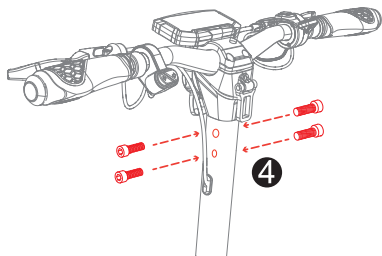
WARNING! Before folding or any servicing, power off the scooter first!



Assembly



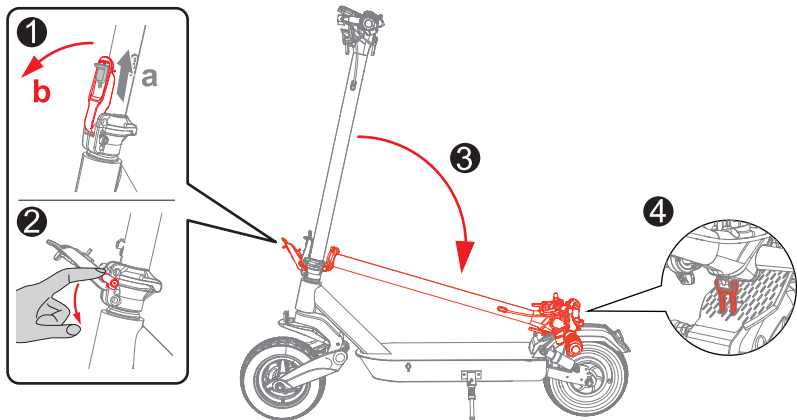
Raise the stem to the riding position until you hear a click and close the folding latch until you hear a click.



Attach the handlebar assembly to the stem. Hand-tighten all four bolts, then fully tighten them using the supplied tool.



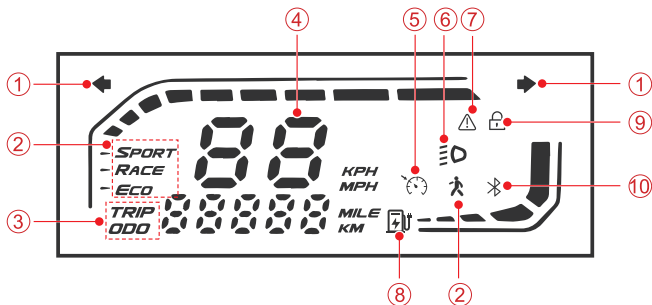
Folding



While pushing up the tab on the folding latch, open the folding latch, flip the safety lever forward, and fold down the stem. Then adjust the handlebar so that the hook on the rear fender engages the latch on the handlebar. And the stem can be used as a carrying handle.



Display



- | | |
|------------------------|----------------------------|
| 1) Indicators | 6) Headlight |
| 2) Riding Modes | 7) Motor Overheating Alarm |
| 3) TRIP: Trip Distance | 8) Battery Level |
| ODO: Total Distance | 9) Scooter Locked |
| 4) Real-time Speed | 10) App Connected |
| 5) Cruise Control | |

Riding Mode	Max Speed
	6 km/h
<i>ECO</i>	10 km/h
<i>RACE</i>	15 km/h
<i>SPORT</i>	25 km/h

● Error code

The following are common error codes you may encounter. If you experience any of these or other error codes, contact us for support.

Codes	Definition
E10	Communication Fault
E14	Throttle Fault
E15	Brake Lever Fault
E16	Motor Hall Sensor Fault
E50	Over-voltage



Basic Operations

Power ON/OFF

Press and hold the Power button.

Lights ON/OFF

Press the Power button once to turn on/off the headlight & taillight simultaneously when the scooter is powered on.

Select Riding Mode

Quickly press the Power button twice when the scooter is powered on.

Select Metric/Imperial Unit

Quickly press the Power button three times when the scooter is powered on.

Zero/Non-zero Start

Quickly press the Power button four times when the scooter is powered on.

Cruise Control ON/OFF

Quickly press the Power button five times when the scooter is powered on.

NOTE:

- The scooter will automatically shut down after 10 minutes of inactivity.
- When cruise control is enabled, if the scooter maintains a constant speed for about 5 seconds, it will continue moving at that speed without applying the throttle.
- To exit cruise control, gently apply the throttle or gently squeeze either brake lever.

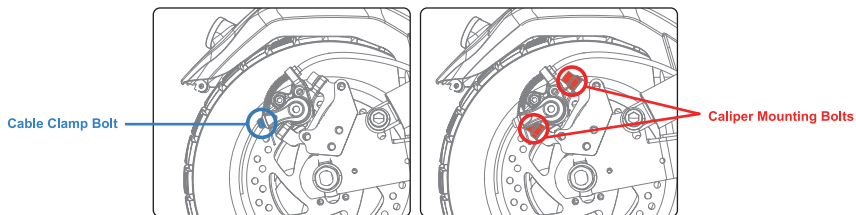


About Charging

- The scooter is fully charged when the charger indicator changes from red to green.
- With charging protection, the scooter will cut off charging automatically after a full charge. We still don't recommend overcharging it.
- Keep the charging port cover closed when not charging.
- During charging, the scooter can not be turned on.



Disc Brake Adjustment



To adjust the brake cable:

You need a hex wrench to loosen the bolt on the cable clamp.

- If the disc brake is dragging, slide the arm of the clamp backward along the cable while holding the cable in one hand. Then, retighten the bolt on the brake clamp.
- If the disc brake does not work efficiently, the cable is slack. You need to slide the arm of the clamp forward along the cable while holding the cable in one hand. Then, retighten the bolt on the brake cable clamp.

To eliminate brake noise:

1. Loosen the two brake caliper mounting bolts (not the bolt on the cable clamp).
2. Reposition the brake caliper to ensure the brake rotor is centered between the brake pads.
3. Retighten the mounting bolts.



Specifications

Model	S10Max
Unfolded Size	119 x 63 x 128.5 cm
Folded Size	119 x 63 x 56 cm
Weight	22 kg
Battery Capacity	DC 48 V, 15 Ah
Motor Power	1000 W
Range	50–60 km *
Max Load Capacity	150 kg *
Recommended Age	18+
Charger Input & Output	AC 100–240 V, 50/60 Hz DC 54.6 V, 2 A
Charging Time	8–9 h
Waterproof Rating	IPX4

- * About the Range: Measured in a laboratory under 100% battery level condition. The range will differ depending on different factors, such as load, humidity, wind speed, and operation habits.
- * The structure of this scooter is designed to support a maximum load of 150 kg. For the best riding experience, 70% of the maximum load is recommended.

CE Warning

- 1) The appliance is not to be used by persons (including children) with reduced physical, sensory or mental capabilities, or lack of experience and knowledge, unless they have been given supervision or instruction.
- 2) Children being supervised not to play with the appliance.



Disposal of Electrical and Electronic Equipment

The crossed-out garbage can means that you are legally obliged to dispose of these devices separately from unsorted municipal waste. Disposal via the residual waste bin or the yellow bin is prohibited. If the products contain batteries or rechargeable batteries that are not permanently installed, they must be removed before disposal and disposed of separately as a battery.

Options for Returning Old Devices (EAR)

Owners of old devices can hand them over within the scope of the options for returning or collecting old devices that have been set up and made available by public waste disposal authorities, so that proper disposal of the old devices is ensured.

Data Protection

We would like to point out to all end users of waste electrical and electronic equipment that they are responsible for: deleting personal data on the old equipment itself to be disposed of.

Declaration of Conformity

For the full text of the EU Declaration of Conformity, visit the link: <https://www.jisrinwheel.co.uk/pages/declaration-of-conformity>

Customer Service:

Contact us if you experience issues relating to riding, maintenance and safety, or errors / faults with your scooter.

Manufacturer: Shenzhen Xincheng Times Technology Co.,Ltd
Add: 104-105, Block C, Donghai Wang Building, No. 369 Bulong Road,
Ma'antang Community, Bantian Street, Longgang District, Shenzhen
E-mail: support@isinwheel.eu



JunBright Ltd
Add: 51 Chalton Street London, England, NW1 1HY
Contact: Shaopeng Yang
E-mail: junbrigh2024@gmail.com
Tel: +44 0756 1533298

