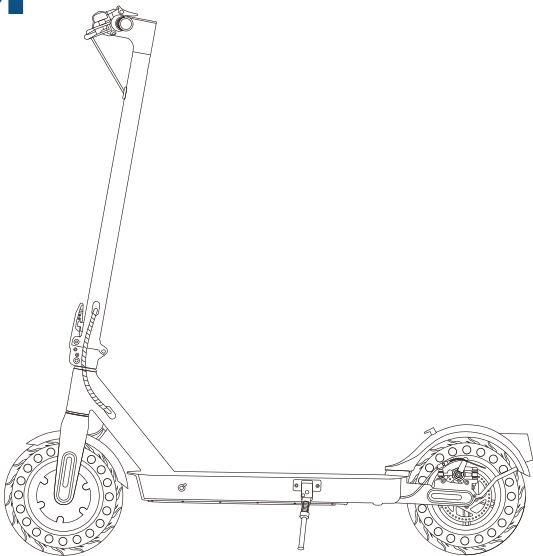


iScooter

i9 *User Manual*

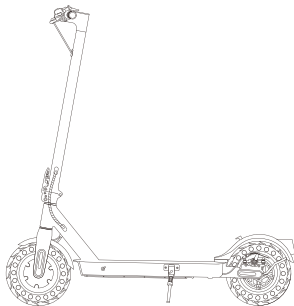
IMPORTANT! Read carefully and keep for future reference.

Illustrations of product, accessories, and user interface in the user manual are for reference purposes only. Actual product and functions may vary due to product enhancements.





Package Contents



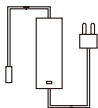
Scooter



Handlebar Bolt
(including 2 spare bolts)



3-in-1 Hex Wrench



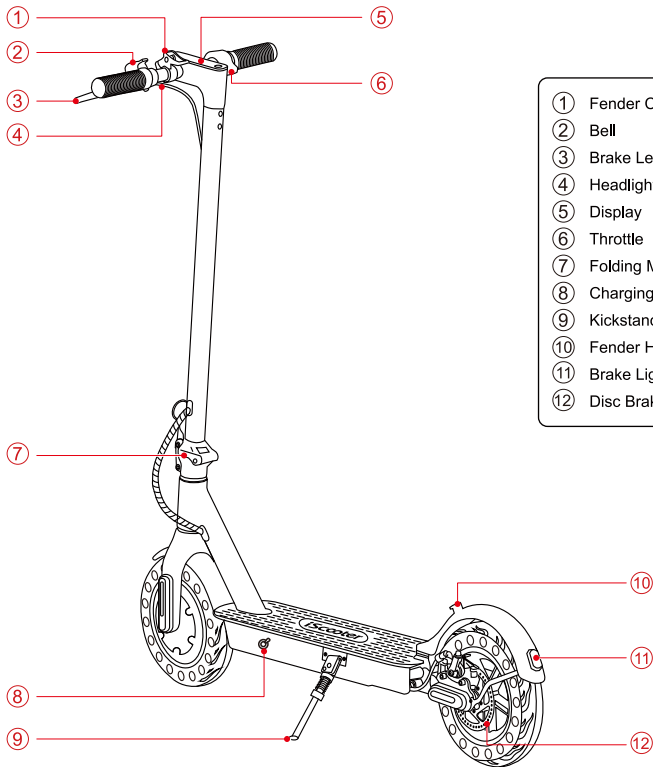
Charger



User Manual &
Safety Instructions



Product Overview

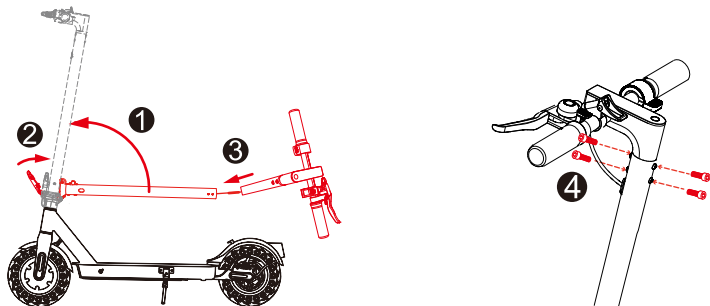


- ① Fender Clip
- ② Bell
- ③ Brake Lever
- ④ Headlight
- ⑤ Display
- ⑥ Throttle
- ⑦ Folding Mechanism
- ⑧ Charging Port
- ⑨ Kickstand
- ⑩ Fender Hook
- ⑪ Brake Light
- ⑫ Disc Brake



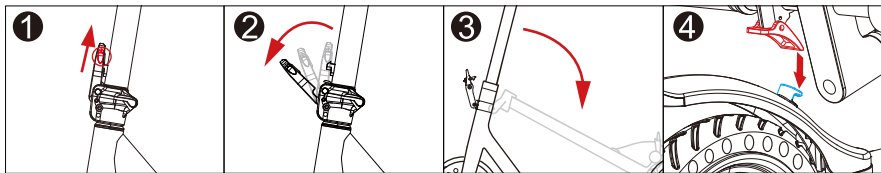
Quick Setup

• Assembly



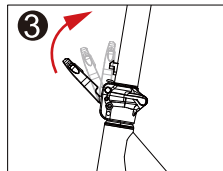
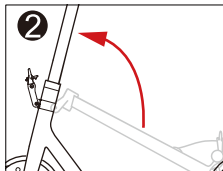
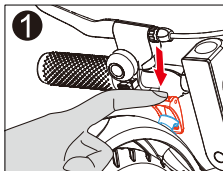
Lift the stem to the riding position and close the folding latch until you hear a click. Then, connect the handlebar to the stem, pre-tighten the mounting bolts, and tighten them to the same torque.

• Folding



Turn off the scooter, open the folding latch, and fold down the stem. Then, adjust the stem so that the fender dip catches the fender hook, and the stem can be used as a carrying handle for transportation.

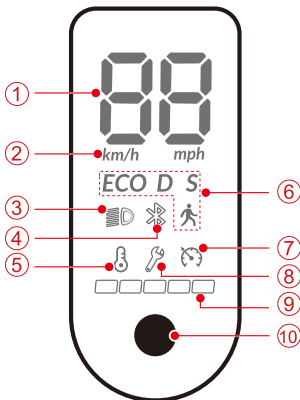
• Unfolding



Press the fender clip to disengage it from the hook, and lift the stem to the riding position. Then, close the folding latch until you hear a click, and the scooter is ready for your ride.



Display & Power Button



- ① Real-Time Speed
- ② Speed Unit
- ③ Headlight
- ④ App Connected
- ⑤ Motor Overheating
- ⑥ Riding Mode
- ⑦ Cruise Control
- ⑧ Error Occurred
- ⑨ Battery Level
- ⑩ Power Button

Error Code	Meaning
E10	Communication Fault
E14	Throttle Fault
E15	Brake Lever Fault
E16	Motor Hall Sensor Fault
E50	Over-Voltage

* If you see any error code on the display, please contact the iScooter support team to remove it.



Basic Operations

Power ON/OFF

Press and hold the Power button for 2 s.

Headlight ON/OFF

Press the Power button to turn on/off the headlight and taillight.

Switch Riding Mode

Press the Power button twice.

Switch Speed Unit

Press the Power button 3 times to switch between km/h and mph.

Switch Start Mode

Press the Power button 4 times to switch between zero-start and non-zero start.

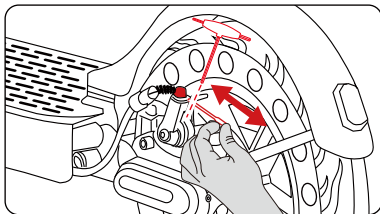
Cruise Control ON/OFF

Press the Power button 5 times.

Riding Mode	Max Speed
	6 km/h
ECO	15 km/h
D	25 km/h



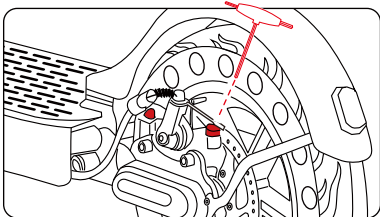
Disc Brake Adjustment



To adjust the brake cable:

You need a hex wrench to loosen the bolt on the cable clamp.

- If the disc brake is dragging, slide the arm of the clamp backward along the cable while holding the cable in one hand. Then, retighten the bolt on the brake clamp.
- If the disc brake does not work efficiently, the cable is slack. You need to slide the arm of the clamp forward along the cable while holding the cable in one hand. Then, retighten the bolt on the brake cable clamp.



To eliminate brake noise:

Tip: For easier operating, put the scooter on the desk.

1. Loosen the two brake caliper mounting bolts (not the bolt on the cable clamp).
2. Reposition the brake caliper to ensure the brake rotor is centered between the brake pads.
3. Retighten the mounting bolts.



About Charging

- The scooter is fully charged when the charger indicator changes from red to green.
- With charging protection, the scooter will cut off charging automatically after a full charge. We still don't recommend overcharging it.
- Keep the charging port cover closed when not charging.
- During charging, the scooter can not be turned on.



Specifications

Model	i9
Unfolded Size	1080 x 430 x 1120 mm
Folded Size	1080 x 430 x 500 mm
Weight	11.1 kg
Battery Capacity	36 V, 7.5 Ah
Motor Power	350 W
Range	22-30 km *

Max Load Capacity	100 kg *
Recommended Age	18+
Operating Temperature	-2°C-35°C
Charger Input	AC 100-240 V, 50/60 Hz
Charger Output	DC 42 V, 1.5 A
Charging Time	3-6 h
Waterproof Rating	IPX4

- * About the range: Measured in a laboratory under 100% battery level condition. The range will differ depending on different factors, such as load, humidity, wind speed, and operation habits.
- * The structure of this scooter is designed to support a maximum load of 100 kg. For the best riding experience, 70% of the maximum load is recommended.

CE Warning

- 1) The appliance is not to be used by persons (including children) with reduced physical, sensory or mental capabilities, or lack of experience and knowledge, unless they have been given supervision or instruction.
- 2) Children being supervised not to play with the appliance.



Disposal of Electrical and Electronic Equipment

The crossed-out garbage can means that you are legally obliged to dispose of these devices separately from unsorted municipal waste. Disposal via the residual waste bin or the yellow bin is prohibited. If the products contain batteries or rechargeable batteries that are not permanently installed, they must be removed before disposal and disposed of separately as a battery.

Options for Returning Old Devices (EAR)

Owners of old devices can hand them over within the scope of the options for returning or collecting old devices that have been set up and made available by public waste disposal authorities, so that proper disposal of the old devices is ensured.

Data Protection

We would like to point out to all end users of waste electrical and electronic equipment that they are responsible for the deletion of personal data on the old devices to be disposed of.

Declaration of Conformity

For the full text of the EU Declaration of Conformity, visit the link:
<https://www.iscooterglobal.co.uk/pages/declaration-of-conformity>



“Tuya Smart” App

To download the app:

Scan the QR code.

Or search "Tuya Smart" on the App Store (iOS) or
Google Play Store (Android).

Manufacturer:

Shenzhen Xincheng Times Technology Co., Ltd
Add: 104-105, Block C, Donghai Wang Building,
No.369 Bulong Road, Ma'antang Community,
Bantian Street, Longgang District, Shenzhen
E-mail: support@iscoterglobal.eu

UK REP

Sea&Mew Accounting Ltd

Add: Electric Avenue Vision 25,
London, Enfield EN3 7GD
E-mail: info@seamew.net
Contact: Billy Han
Tel: +44 7399648608

