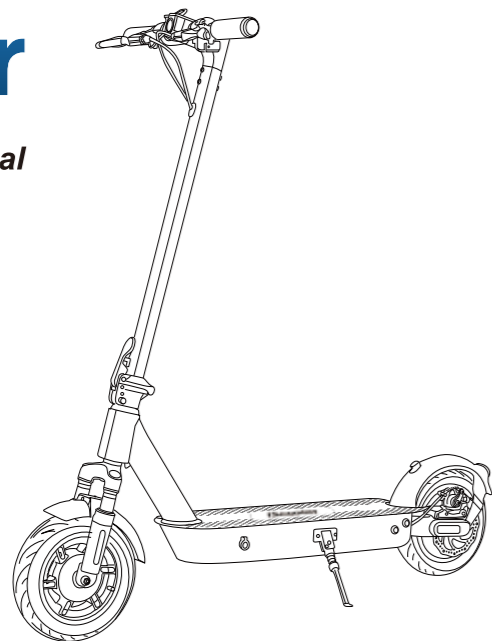


# iScooter

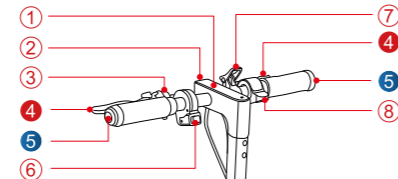
## i10Plus User Manual

IMPORTANT! Read carefully and keep for future reference.

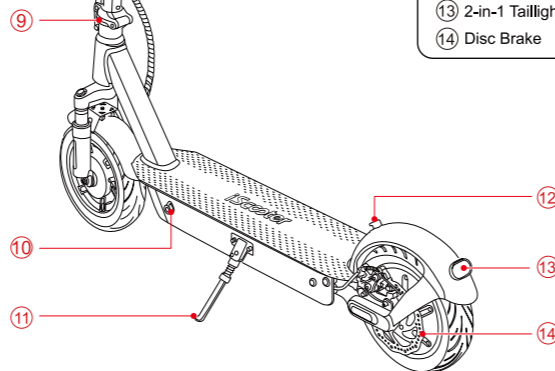
Illustrations of product, accessories, and user interface in the user manual are for reference purposes only. Actual product and functions may vary due to product enhancements.



### Product Overview



- ① Display
- ② Headlight
- ③ Bell
- ④ Brake Levers
- ⑤ Turn Signals
- ⑥ Turn Signal Switch
- ⑦ Fender Clip
- ⑧ Throttle
- ⑨ Folding Mechanism
- ⑩ Charging Port
- ⑪ Kickstand
- ⑫ Fender Hook
- ⑬ 2-in-1 Taillight & Brake Light
- ⑭ Disc Brake



### Package Contents



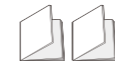
Scooter



Handlebar Bolts  
(including 2 spare bolts)



3-in-1 Hex Wrench



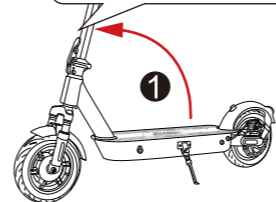
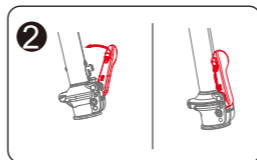
User Manual &  
Safety Instructions



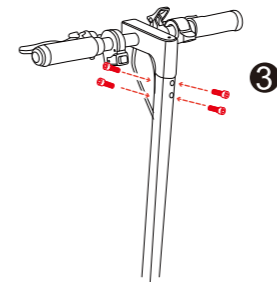
Charger

### Quick Setup

#### • Assembly



Lift the stem to the riding position, then close the folding latch until you hear a click.



Connect the handlebar to the stem, pre-tighten all the four bolts, then tighten them to the same torque.



"iScooter club" App

To download the app:

- Scan the QR code.
- Or search for "iScooter club" on the App Store (iOS) or Google Play Store (Android).

### Customer Service:

Contact us if you experience issues relating to riding, maintenance and safety, or errors / faults with your electric scooter.

[www.iscooterglobal.co.uk](http://www.iscooterglobal.co.uk)

[support@iscooterglobal.co.uk](mailto:support@iscooterglobal.co.uk)

+44 1888 785356

### Manufacturer:

Shenzhen Xincheng Times Technology Co.,Ltd  
Add: 104-105, Block C, Donghai Wang Building, No. 369 Bulong Road, Ma'anang Community, Bantian Street, Longgang District, Shenzhen  
E-mail: [support@iscooterglobal.eu](mailto:support@iscooterglobal.eu)

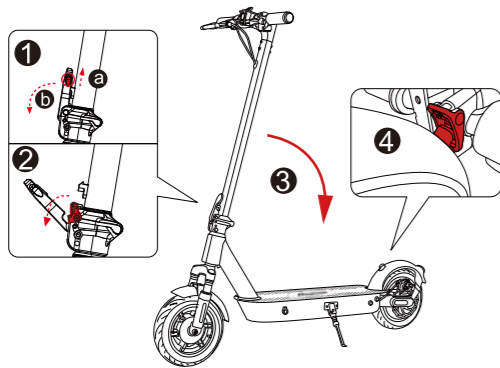
**UK REP** Sea&Mew Accounting Ltd  
Add: Electric Avenue Vision 25, London, Enfield EN3 7GD  
E-mail: [info@seamew.net](mailto:info@seamew.net)  
Tel: +44 7399648608  
Contact: Billy Han



## ● Folding

Power off the scooter, open the folding latch, flip the safety lever forward, and fold down the stem.

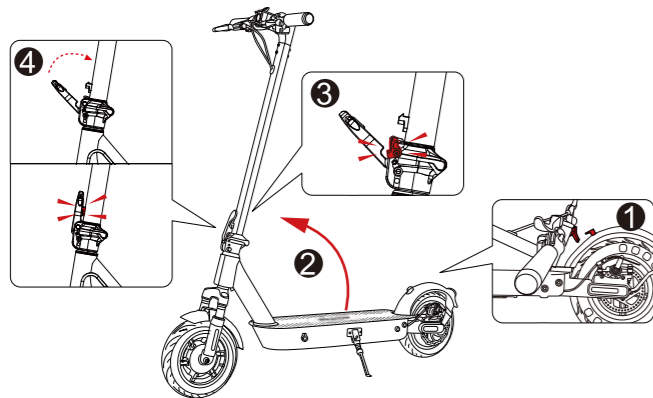
Then adjust the stem so that the fender hook catches the clip on the handlebar.



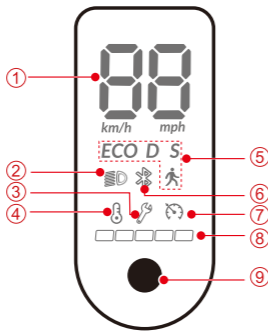
## ● Unfolding

Disengage the fender hook from the clip on the handlebar, then lift the stem to the riding position until you hear a click.

Close the folding latch until you hear a click. And the scooter is ready for your ride.



## Display & Power Button



- ① Real-Time Speed / Error Code
- ② Headlight
- ③ Error Alarm
- ④ Motor Overheating Alarm
- ⑤ Riding Mode
- ⑥ App Connected
- ⑦ Cruise Control
- ⑧ Battery Level
- ⑨ Power Button

Error Code	Meaning
E10	Communication Fault
E14	Throttle Fault
E15	Brake Lever Fault
E16	Motor Hall Sensor Fault
E50	Over-Voltage

\* If you see any error code on the screen, contact the customer service for support.

## Basic Operations

**Power ON/OFF**  
Press and hold the Power button for 2 s.

**Headlight ON/OFF**  
Press the Power button to turn on/off the headlight and taillight.

**Switch Riding Mode**  
Press the Power button twice.

**Switch Speed Unit**  
Press the Power button 3 times to switch between km/h and mph.

**Switch Start Mode**  
Press the Power button 4 times to switch between zero-start and non-zero start.

**Cruise Control ON/OFF**  
Press the Power button 5 times.

Riding Mode	Max Speed
	6 km/h
<i>ECO</i>	10 km/h
<i>D</i>	15 km/h
<i>S</i>	25 km/h

### NOTE:

- The scooter will automatically power off after 10 minutes of inactivity.
- When cruise control is on, if the scooter moves forward at a constant speed for 5 seconds, it will beep and move forward at this speed without pressing the throttle.

## About Charging

- The scooter is fully charged when the charger indicator changes from red to green.
- With charging protection, the scooter will cut off charging automatically after a full charge. We still don't recommend overcharging it.
- Keep the charging port cover closed when not charging.
- During charging, the scooter can not be turned on.

## Specifications

Model	i10Plus
Unfolded Size	118 x 52 x 118 cm (46.4 x 20.5 x 46.4 in.)
Folded Size	118 x 52 x 53 cm (46.4 x 20.5 x 20.8 in.)
Weight	18.6 kg (41 lbs)
Battery Capacity	36 V, 17.5 Ah
Motor Power	800 W
Wheel Diameter	10 in.
Range	45-50 km (28-30 miles) *
Max Load Capacity	120 kg (264 lbs) *
Recommended Age	18+
Operating Temperature	-2°C-35°C (28.4°F-95°F)
Charger Input	AC 100-240 V, 50/60 Hz
Charger Output	DC 42 V, 2 A
Charging Time	8-9 h
Waterproof Rating	IPX4

\* About the range: Measured under the condition of an 100% battery level, a load of 70 kg (154 lbs), and a speed of 15 km/h (9 mph). The range will differ depending on different factors, such as load, humidity, wind speed, and operation habits.

\* The structure of this scooter is designed to support a maximum 120 kg (264 lbs) load. For the best riding experience, 70% of the maximum load is recommended.

### CE Warning

1) The appliance is not to be used by persons (including children) with reduced physical, sensory or mental capabilities, or lack of experience and knowledge, unless they have been given supervision or instruction.  
2) Children being supervised not to play with the appliance.



### Disposal of Electrical and Electronic Equipment

The crossed-out garbage can means that you are legally obliged to dispose of these devices separately from unsorted municipal waste. Disposal via the residual waste bin or the yellow bin is prohibited. If the products contain batteries or rechargeable batteries that are not permanently installed, they must be removed before disposal and disposed of separately as a battery.

### Options for Returning Old Devices (EAR)

Owners of old devices can hand them over within the scope of the options for returning or collecting old devices that have been set up and made available by public waste disposal authorities, so that proper disposal of the old devices is ensured.

### Declaration of Conformity

For the full text of the EU Declaration of Conformity, visit the link: [www.iscooterglobal.co.uk/pages/declaration-of-conformity](http://www.iscooterglobal.co.uk/pages/declaration-of-conformity)

### Data Protection

We would like to point out to all end users of waste electrical and electronic equipment that they are responsible for: deleting personal data on the old equipment itself to be disposed of.